

# MODEL 335 MODEL 365

## Retriggerable One-Shot Timer

- Most Common Voltage & Timing Ranges
- 5-Year Unconditional Warranty

### DESCRIPTION

The **Model 335 and 365 Retriggerable One-Shot Timers** are functionally interchangeable. The Model 335 is a DPDT potentiometer (knob-adjust) timer while the Model 365 is a DPDT, high-accuracy digital input timer. Solid-state timing circuits in each model drive an internal electromechanical relay.

With power applied to the coil, when the initiate switch (dry contact) is closed, the relay will energize for the time period set by the user. At the end of the preset time period, the relay will de-energize. If the initiate switch opens and then closes multiple times while the relay is energized (i.e. it is "retriggered"), the relay will then restart the delay time. The relay will remain energized until the retriggering stops and the delay time ends. When power is removed, the relay will de-energize.

An "SG" version of this model is available using silver with gold flash contacts.

Models 335 and 365 are UL Recognized and CSA Certified.

### UL SPECIFICATIONS\*

Models	335 and 365
<b>Input</b>	
Voltage (VAC)	10-28V AC/DC OR 40-260V AC/DC
Power	3 Watts Max
<b>Output</b>	240V AC, 10A, Resistive 120V AC, 4A, General Use 240V AC, 2A, General Use C300, Pilot Duty

\* Pilot Duty:

120V: Make 15A, Break 1.5A  
240V: Make 7.5A, Break 0.75A



### SPECIFICATIONS

MODEL	335 (knob adj.)	365 (digital)
Voltage	L = 10-28V AC/DC H = 40-260V AC/DC	
Timing range	<b>10SEC:</b> 1 - 10 Sec. <b>60SEC:</b> 1 - 60 Sec. <b>180SEC:</b> 1 - 180 Sec. <b>300SEC:</b> 1 - 300 Sec.	<b>0.1SEC:</b> 0.1 - 102.3 Sec. <b>1SEC:</b> 1 - 1023 Sec. <b>1MIN:</b> 1 - 1023 Min. <b>1HR:</b> 1 - 1023 Hr.
Accuracy	± 5%	± 2%
Repeatability	± 2%	± 0.1%
Recycle time	100ms	
Operating temp	-20°F to 140°F	
Contact rating	DPDT, 240VAC @ 10A resistive	
Transient protection	775V, 80 Joules	
Humidity tolerance	0 - 97% w/o condensation	
Enclosure material	NORYL Plastic	
Mounting	11-pin socket (not included)**	
Weight	5 oz.	
Agency approval	UL Recognized and CSA Certified	
Additional Options	/C = Custom (Voltage and/or Timing) /SG = Silver with Gold Flash Contacts	

\*\* order 11-pin socket number 51X016

**Ordering Examples (Model-Voltage-Timing Range [/Options]):**  
**365-H-0.1SEC** = Model 365 with a 40-260V AC/DC voltage range and a timing range of 0.1-102.3 seconds.

**335-L-180SEC /SG** = Model 335 with a 10-28V AC/DC voltage range, a timing range of 1-180 seconds, and optional silver with gold flash contacts.

*Contact Time Mark to order a custom programmed unit*

11440 East Pine Street  
Tulsa, Oklahoma 74116

02/2020

© 2020 TIME MARK CORPORATION

**SIGNALINE**  
DIV OF TIME MARK CORPORATION

TIME MARK is a division of  AEMT, Inc.

# MODEL 335 / 365

# Retriggerable One-Shot Timer

READ ALL INSTRUCTIONS BEFORE INSTALLING, OPERATING OR SERVICING THIS DEVICE.  
KEEP THIS DATA SHEET FOR FUTURE REFERENCE.

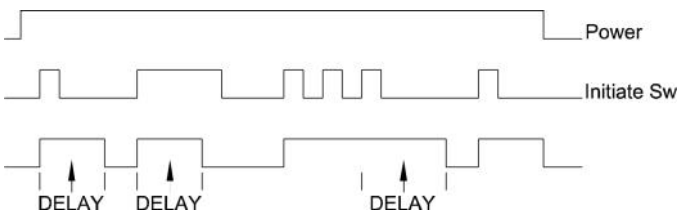
## GENERAL SAFETY

POTENTIALLY HAZARDOUS VOLTAGES ARE PRESENT AT THE TERMINALS OF THE MODEL 335 OR 365.  
ALL ELECTRICAL POWER SHOULD BE REMOVED WHEN CONNECTING OR DISCONNECTING WIRING.  
THIS DEVICE SHOULD BE INSTALLED AND SERVICED BY QUALIFIED PERSONNEL.

## Installation Instructions

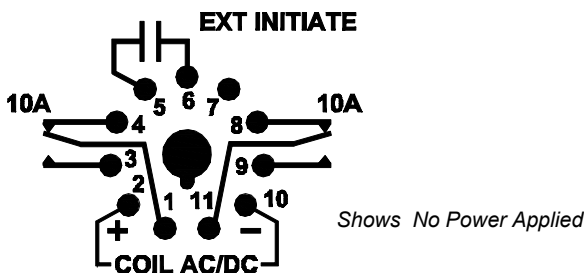
### OPERATION

With power applied to the coil, the relay will energize for the time period set by the user when the initiate switch (dry contact) is closed. At the end of the preset time period, the relay will de-energize. If the initiate switch opens and then closes multiple times while the relay is energized (i.e. it is "retriggered"), the relay will then restart the delay time. The relay will remain energized until the retriggering stops and the delay time ends. When power is removed, the relay will de-energize.



### PIN DIAGRAM

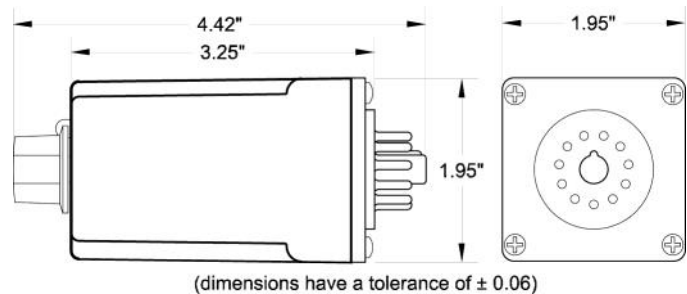
The Models 335 and 365 One-Shot Timers require a standard 11-pin socket for mounting, and use a standard pin configuration. Refer to the pin diagram below, or on the timer, for terminal connections.



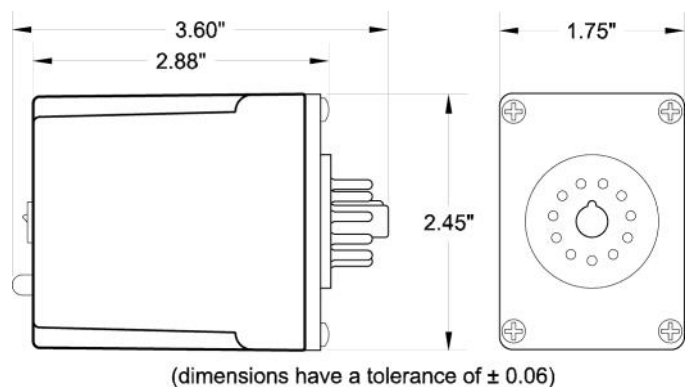
An LED on top of the unit provides a quick visual indicator of the relay's status.

LED Indicator	Unit Status
Green	Energized
Red	De-energized
Flashing (Green or Red)	Relay is Timing

### DIMENSIONS - Model 335



### DIMENSIONS - Model 365



11440 East Pine Street  
Tulsa, Oklahoma 74116

Page 2 of 3 02/2020  
© 2020 TIME MARK CORPORATION

**SIGNALINE**  
DIV OF TIME MARK CORPORATION

TIME MARK is a division of  AEMT, Inc.

READ ALL INSTRUCTIONS BEFORE INSTALLING, OPERATING OR SERVICING THIS DEVICE.  
KEEP THIS DATA SHEET FOR FUTURE REFERENCE.

## GENERAL SAFETY

POTENTIALLY HAZARDOUS VOLTAGES ARE PRESENT AT THE TERMINALS OF THE MODEL 335 OR 365.  
ALL ELECTRICAL POWER SHOULD BE REMOVED WHEN CONNECTING OR DISCONNECTING WIRING.  
THIS DEVICE SHOULD BE INSTALLED AND SERVICED BY QUALIFIED PERSONNEL.

## Installation Instructions

### ADJUSTMENT PROCEDURE - Model 365

The procedure to determine the switch selections for the digital Model 365 One-Shot Timer requires some simple calculations, which can be completed easily after the basic steps are explained.

- Convert the delay time required to minutes, seconds, or tenths of seconds, depending upon the timing range of the unit. For example:

$$7 \text{ hrs, } 32 \text{ min} = (7 \times 60) + 32 = 452 \text{ minutes}$$

$$15 \text{ min, } 2 \text{ secs} = (15 \times 60) + 2 = 902 \text{ seconds}$$

$$6.7 \text{ secs} = (6.7 \times 10) = 67 \text{ tenths of a second}$$

- To set the desired delay period on the timer, just add the values of the selected dip switches (beginning with the largest value first) to total the desired time.

e.g. #1: 100 seconds with a 1 second increment

1		
2		
4		●
8		
16		
32		●
64		●
128		
256		
512		

Code:  = switch OFF  
 = switch ON

$$\underline{64} + \underline{32} + \underline{4} = 100 \text{ seconds}$$

e.g. #2: 100 seconds with a .1 second increment

1		
2		
4		
8		●
16		
32		●
64		●
128		●
256		●
512		●

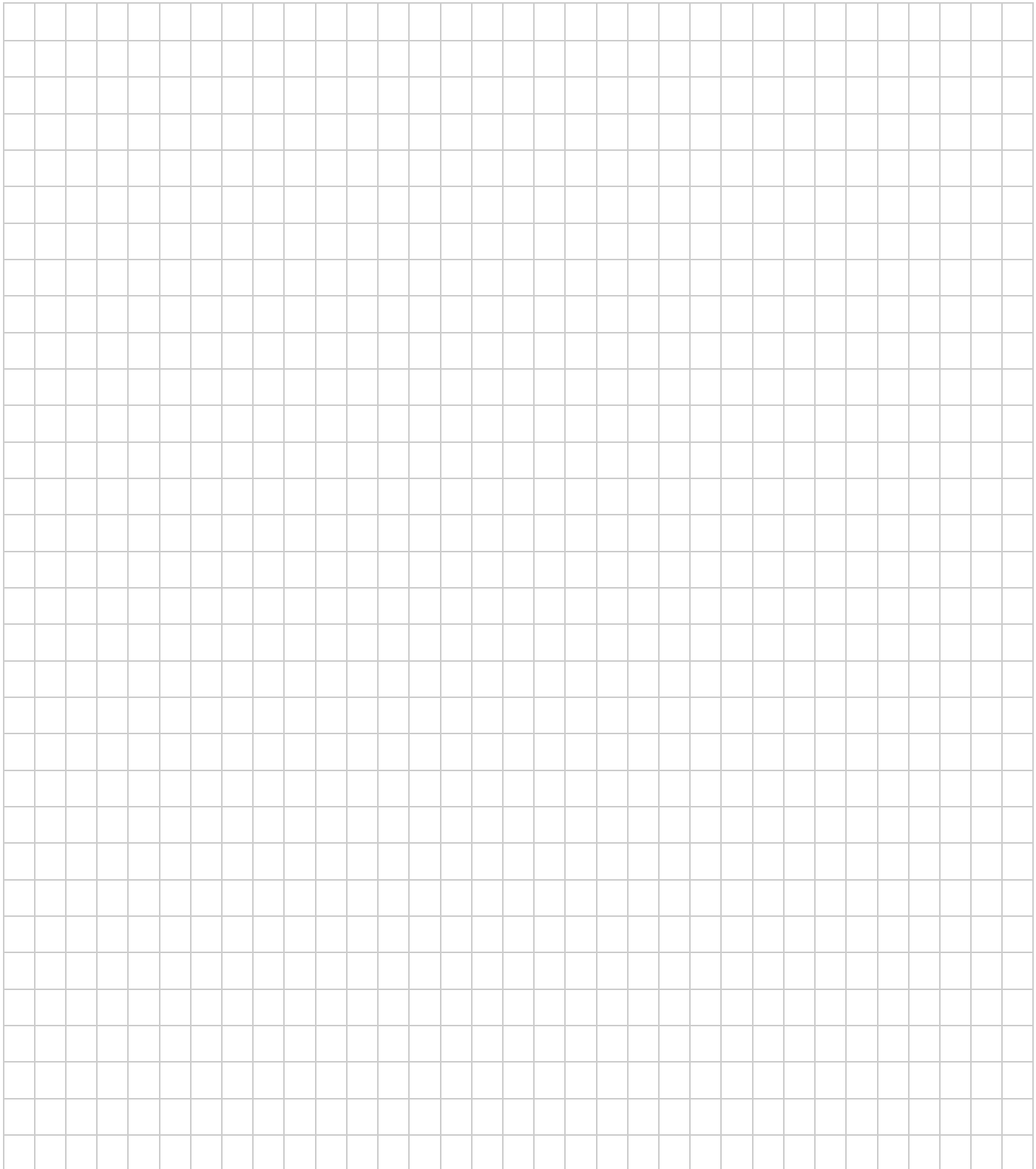
Code:  = switch OFF  
 = switch ON

$$\underline{512} + \underline{256} + \underline{128} + \underline{64} + \underline{32} + \underline{8} = 1000 \text{ tenths of a seconds}$$

### WARRANTY

This product is warranted to be free from defects in materials and workmanship, and is covered by our exclusive **5-year Unconditional Warranty**. Should this device fail to operate for any reason, we will repair it for five years from the date of manufacture. For complete warranty details, see the *Terms and Conditions of Sales* page in the front section of the Time Mark catalog or contact Time Mark at 1-800-862-2875.

**Have Questions? Call us at (800) 862-2875 and talk to a real live person.**



**TIME MARK**  
CORPORATION

11440 East Pine Street  
Tulsa, Oklahoma 74116

02/2020  
© 2020 TIME MARK CORPORATION

TIME MARK is a division of  **AEMT, Inc.**